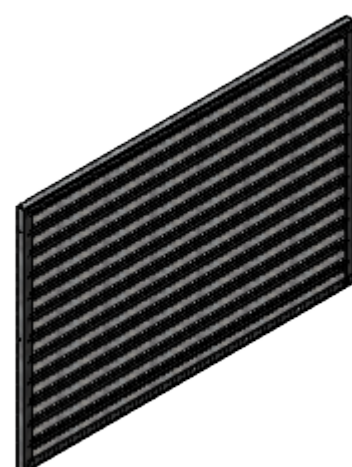


NOTES:

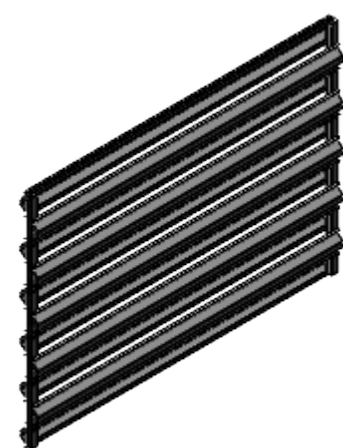
1. GATE POSTS TO BE SIZED BY MANUFACTURER TO ADEQUATELY SUPPORT LOADS. 4" SQUARE POSTS MINIMUM 50KSI YIELD AND 55KSI TENSILE. MINIMUM G90 GALVANIZED PER ASTM A787 AND A1057. LARGER POSTS MINIMUM 46KSI YIELD AND 58KSI TENSILE PER ASTM A500 GRADE B. MINIMUM 1.8OZ HOT-DIP GALVANIZED PER ASTM A123.
2. GATE FRAME - 2" X 4" X 14GA RECTANGULAR TUBE, STANDARD. (DIFFERENT FRAME MEMBERS CAN BE USED - APPLICATION SPECIFIC) MINIMUM 50KSI YIELD AND 55KSI TENSILE. MINIMUM G90 GALVANIZED PER ASTM A787 AND A1057. CORNERS ARE MITER CUT AND WELDED WITH SILICON-BRONZE WELDING WIRE PER AWS A5.7/ASME SFA5.7 CLASS ERCUSI-A.
3. HINGES - PRECISION-GROUND, PRE-LUBRICATED, DOUBLE-SEALED BEARING HINGES RATED FOR 2800LBS PER PAIR
4. LATCH - (FOR SINGLE SWING GATES ONLY) TWO-WAY PADLOCKABLE LATCH, OPERABLE ONE-HANDED, ZINC PLATED
5. CANE RODS - 1" DIAMETER STAINLESS STEEL CANE ROD. HANGERS AND BRACKETS FORMED FROM 1/4" STAINLESS STEEL. PASSIVATED FINISH. THROUGH BOLTS AND LOCK NUTS PROVIDED.
6. FENCE PICKETS - 5" WIDE, LIQUID COLOR COATED (IN STANDARD COLORS) AND ROLL FORMED
 - .017" THICK FULL-HARD 80 KSI STEEL
 - MINIMUM G90 GALVANIZED PER ASTM A653
 - 2-COAT THERMO-CURED PAINT SYSTEM CONSISTING OF: PRIMER UNDERCOAT FLUOROPOLYMER TOP COAT CONTAINING
 - MINIMUM 70 PERCENT POLYVINYLIDENE DIFLUORIDE BY WEIGHT. COMPLIES WITH THE PHYSICAL PROPERTIES AND COATING PERFORMANCE REQUIREMENTS OF AAMA 621
7. U-CHANNELS- (FOR BENNINGTON AND WINDSOR)
 - FORMED 14 GAUGE GRADE 50 MINIMUM STEEL PER ASTM A653
 - MINIMUM G90 GALVANIZED
8. C-CHANNEL RAILS- (FOR CHESAPEAKE, CAMBRIDGE, ESSEX AND YORKTOWN)
 - ROLL FORMED 14 GAUGE GRADE 50 MINIMUM STEEL PER ASTM A653
 - MINIMUM G90 GALVANIZED

NOTES:

1. INSTALLATION TO BE COMPLETED IN ACCORDANCE WITH MANUFACTURER'S SPECIFICATIONS.
2. DO NOT SCALE DRAWING.
3. THIS DRAWING IS INTENDED FOR USE BY ARCHITECTS, ENGINEERS, CONTRACTORS, CONSULTANTS AND DESIGN PROFESSIONALS FOR PLANNING PURPOSES ONLY. THIS DRAWING MAY NOT BE USED FOR CONSTRUCTION.
4. ALL INFORMATION CONTAINED HERE WAS CURRENT AT THE TIME OF DEVELOPMENT BUT MUST BE REVIEWED AND APPROVED BY THE PRODUCT MANUFACTURER TO BE CONSIDERED ACCURATE.



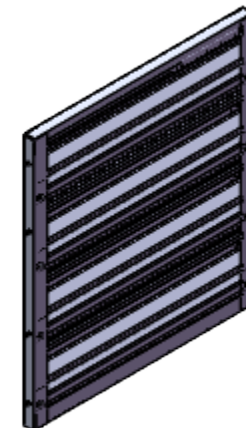
BENNINGTON



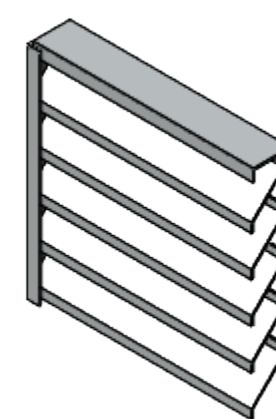
YORKTOWN



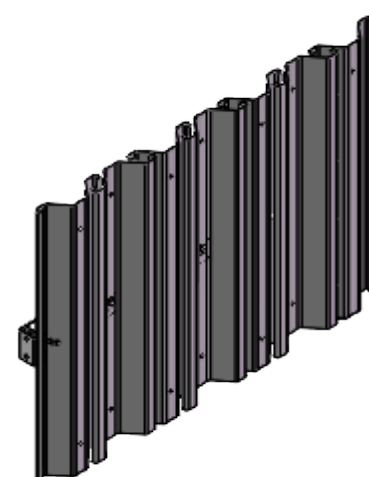
HZ CHESAPEAKE



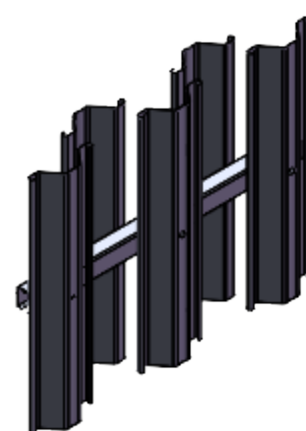
WINDSOR



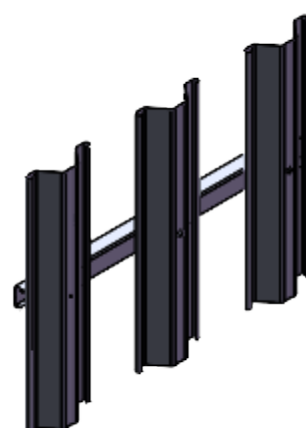
ALUMINIUM LOUVER



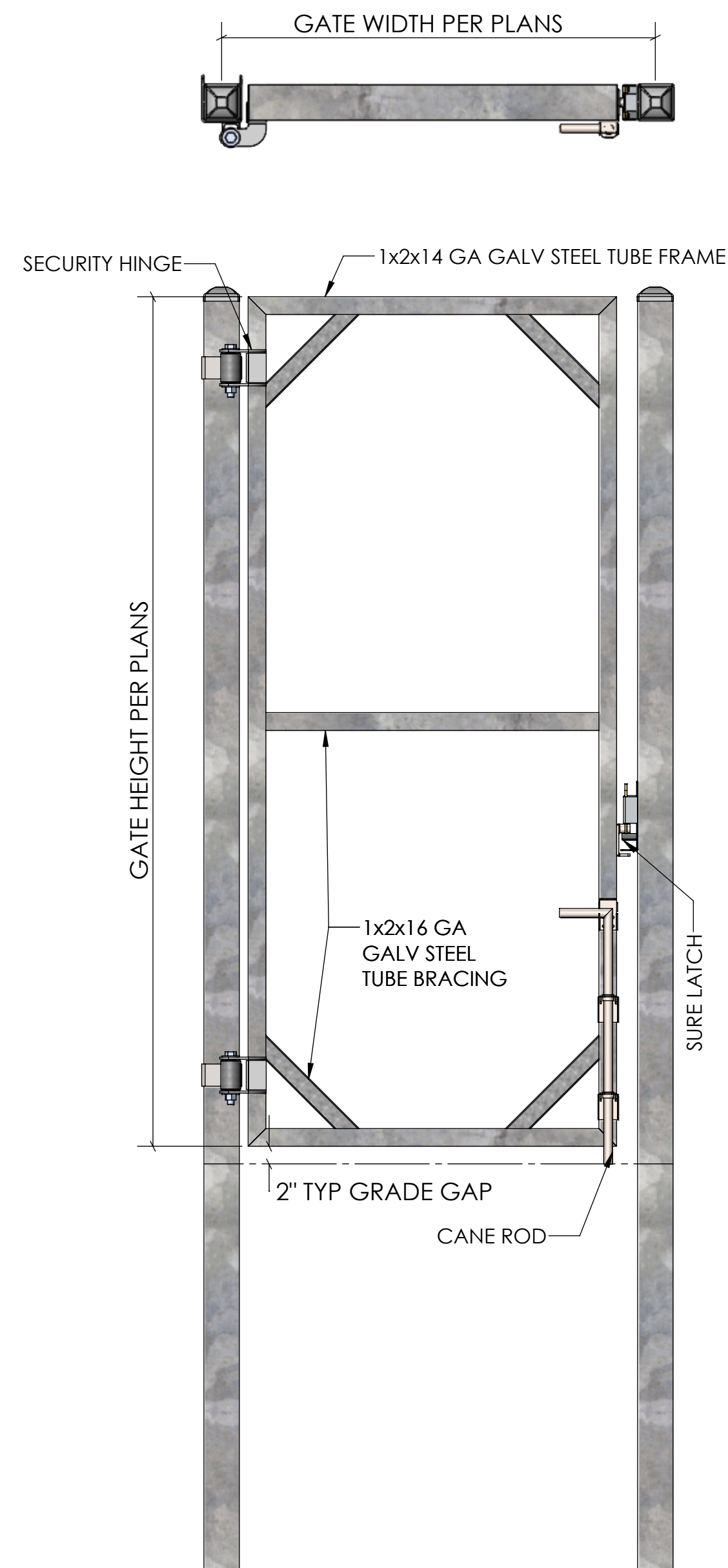
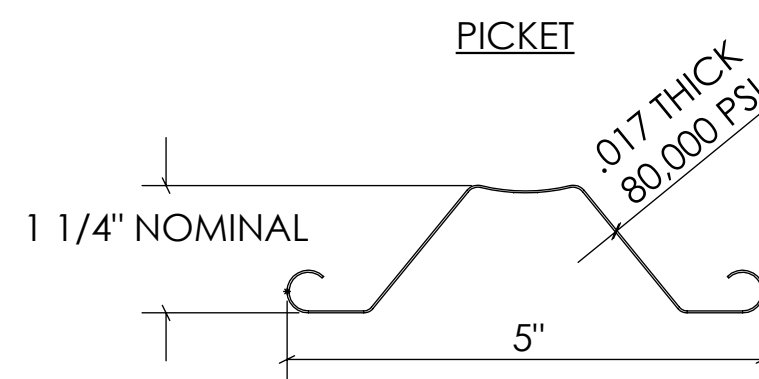
ESSEX



CAMBRIDGE



CHESAPEAKE



SUBMITTALS ARE NOT FOR CONSTRUCTION
PROVIDE FIELD MEASUREMENT PRIOR TO FABRICATION

Kynar 500[®] Top Coat Colors



Custom colors available. Please request color samples.



BASTEEL
PERIMETER SYSTEMS™

NAME	DATE	CUSTOMER:
REP	7/14/2021	GENERIC SUBMITTAL
DRAWN BY		TITLE:
FINISH		SINGLE SWING GATE GENERIC SUBMITTAL
COLOR		SIZE DWG. REV
C		C-SUBMITTAL
WEIGHT:		

PROPRIETARY AND CONFIDENTIAL
THE INFORMATION CONTAINED IN THIS DRAWING IS THE SOLE PROPERTY OF BASTEEL PERIMETER SYSTEMS. ANY REPRODUCTION IN PART OR AS A WHOLE WITHOUT THE WRITTEN PERMISSION OF BASTEEL PERIMETER SYSTEMS IS PROHIBITED.