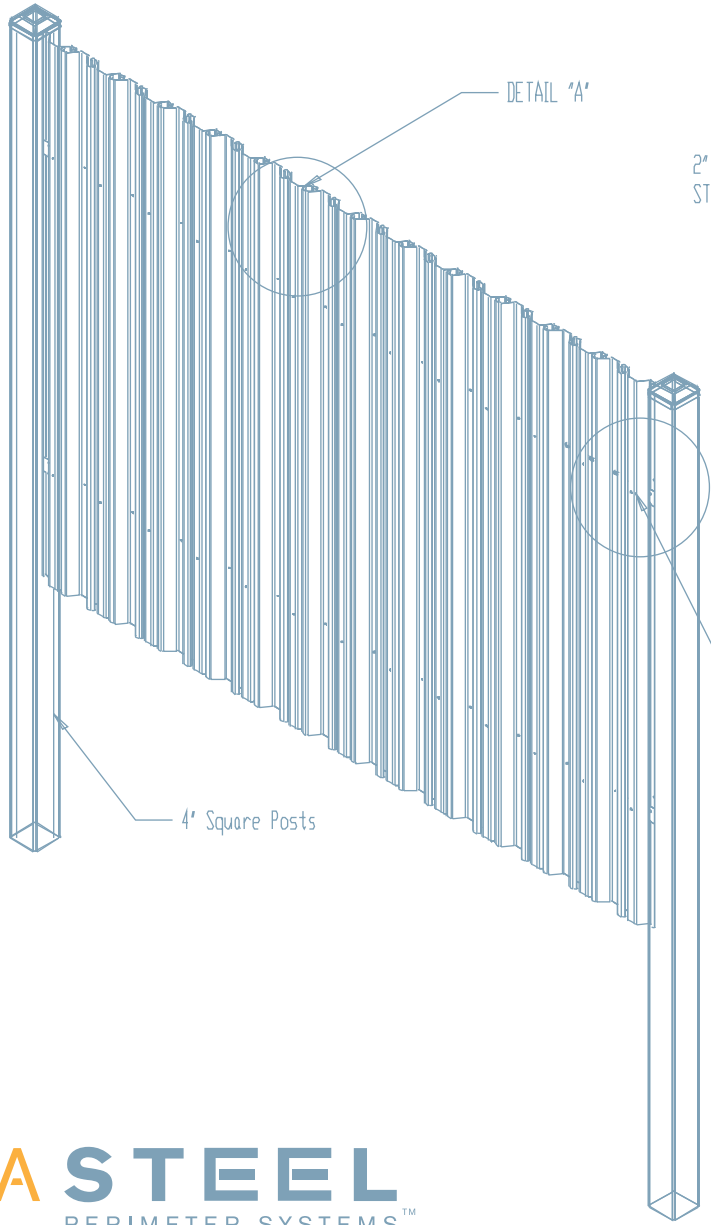


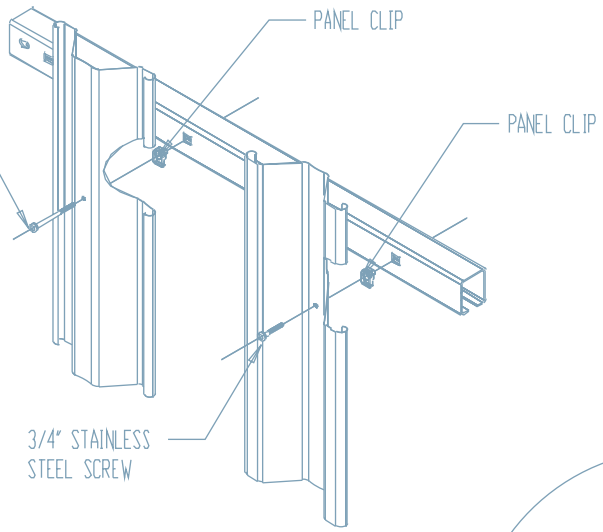
TOTAL PRIVATE FENCE SECTION...SQUARE POST



4' Square Posts

DETAIL "A"

DETAIL "B"



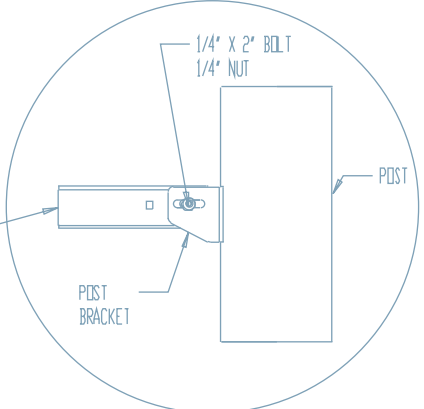
2" STAINLESS STEEL SCREW

PANEL CLIP

PANEL CLIP

3/4" STAINLESS STEEL SCREW

DETAIL "A"



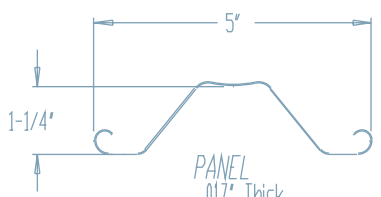
1/4" X 2" BELT
1/4" NUT

POST

POST BRACKET

HORIZONTAL RAIL
(14 Ga. painted galvanized steel)

DETAIL "B"



PANEL
.017" Thick
80,000 PSI
Pre-painted steel