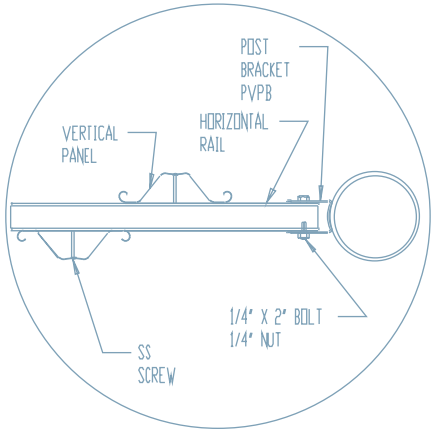
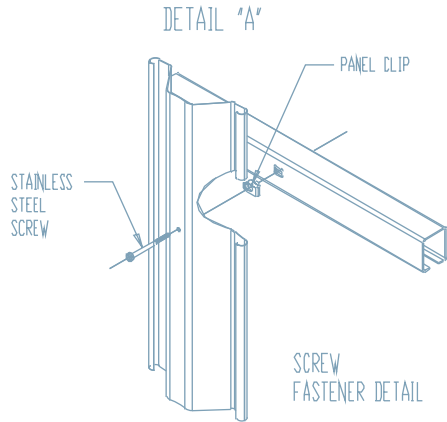


PART #	HEIGHT DIM "A"	HORIZONTAL RAILS			
			POST SIZE	O.D.	HOLE CENTERS
PV4	4'	2			
PV5	5'	2			
PV6	6'	2			
PV8	8'	2			
PV10	10'	3	3"	2-7/8"	96-1/2"
PV12	12'	3	4"	4"	97-1/2"

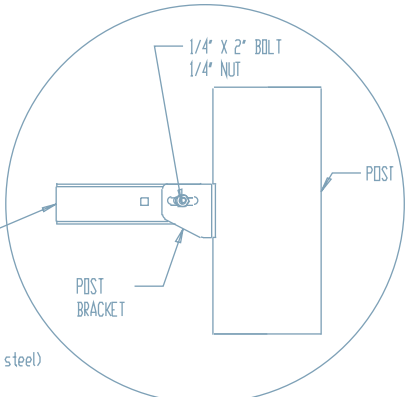
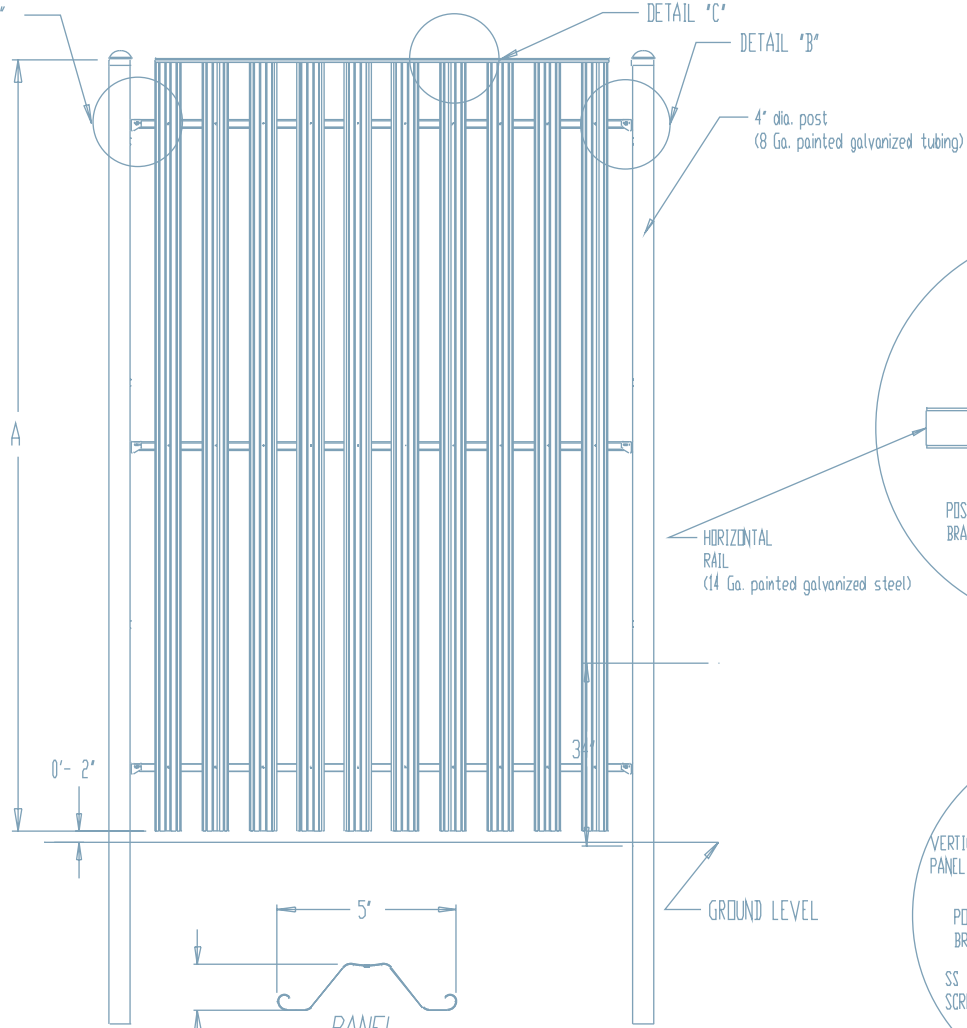
SHADOW BOX FENCE SECTION WITH SCREW FASTENERS



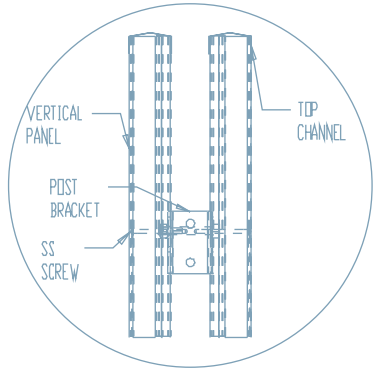
DETAIL "A"



DETAIL "A"



DETAIL "B"



DETAIL "C"

SECTIONS ARE 8' NOMINAL IN LENGTH AND INCLUDE 21 VERTICAL PANELS. INCLUDES PANELS, HORIZONTAL RAILS AND ALL HARDWARE FOR ASSEMBLING PANELS. TOP CHANNEL INCLUDED IN 4' HIGH FENCE AND OPTIONAL IN ALL OTHERS. POSTS ORDERED SEPARATELY.

