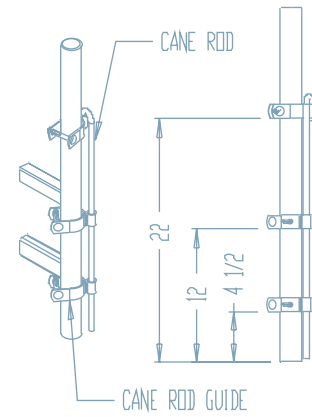
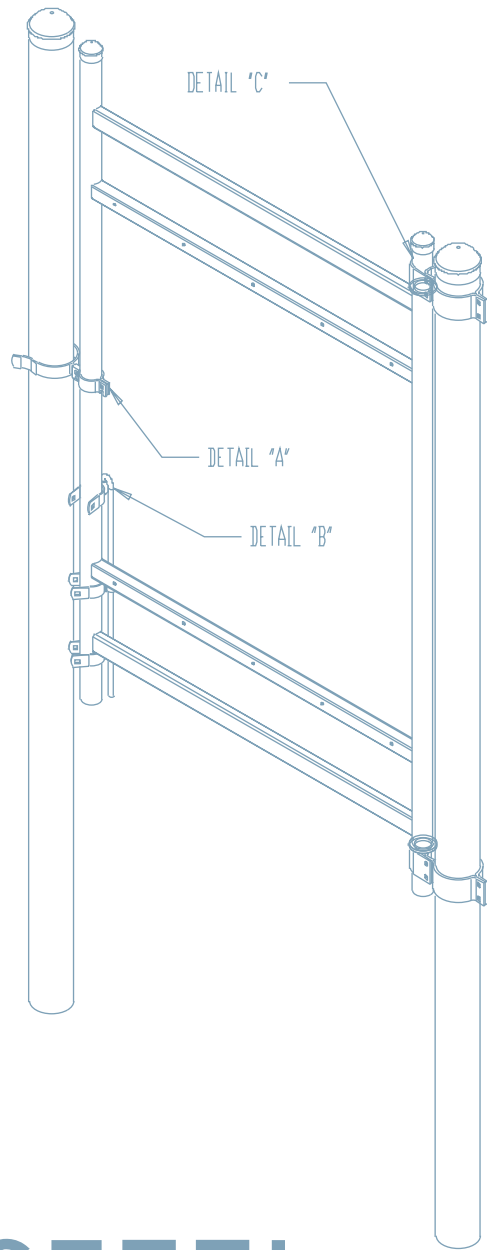
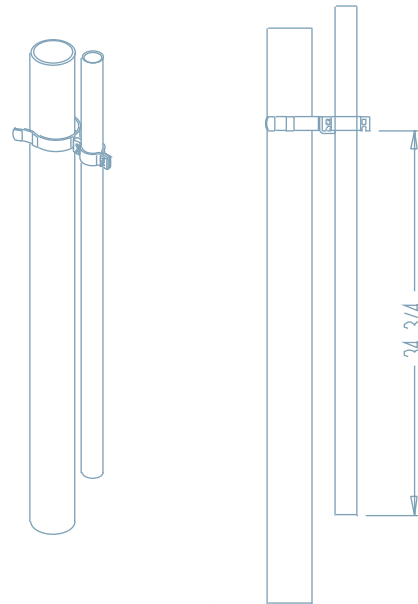


SINGLE SWING GATE HARDWARE INSTALLATION

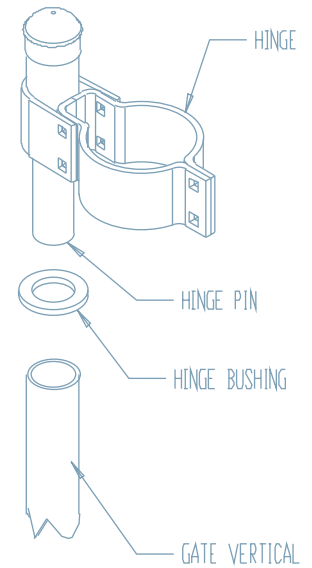


DETAIL 'B'
CANE ROD ASSEMBLY

ATTACH CANE ROD GUIDE
WITH (1) 3/8" X 2-1/2"
CARRIAGE BOLT & NUT



DETAIL 'A'
GATE LATCH



DETAIL 'C'
HINGE PIN